

# DECOFAST



**SperottoRimar**<sub>srl</sub>

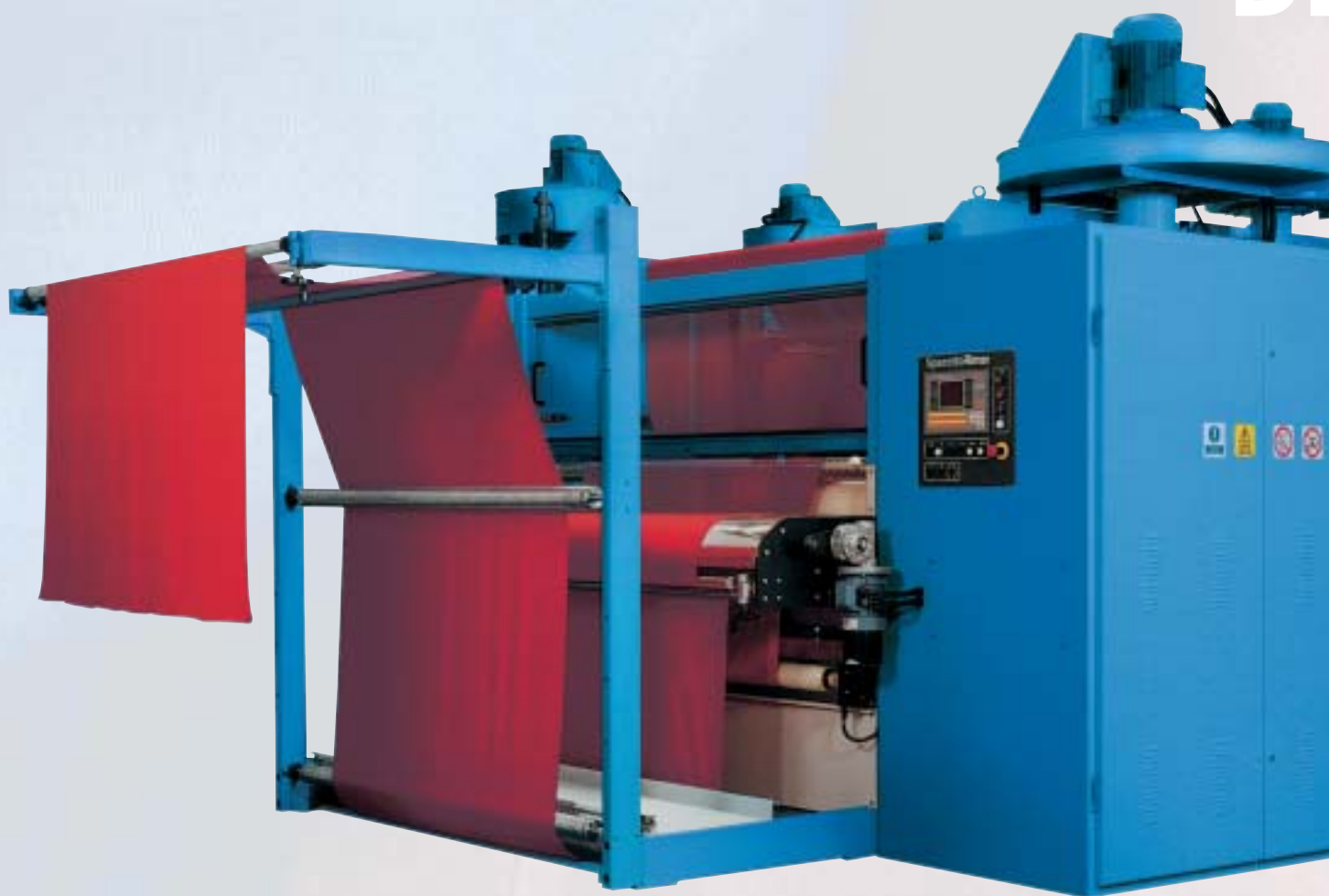
# DECOFAST/ DECOFAST ULTRAFINISH

## Continuous steam decatizing under pressure

DECOFAST– innovative, continuous, decatizing under pressure for the third millennium.

The possibility of performing a decatizing treatment with steam under pressure on continuously operating equipment has long been sought after by wool finishers.

The aim has been to achieve extremely efficient forms of treatment with respect to the continuous atmospheric pressure decatizing process, and to surpass the results obtainable with the traditional batch-decatizing machines.



# DECOFAST

# DECOFAST



Furthermore, the introduction of new wool fabrics, e.g. stretch-type articles for casual wear, resulted in the definition of new technology demanded for the third millennium. This has been accomplished with DECOFAST.

These are the salient features related to the technology and performances:

- Continuous decatizing with adjustable steam under pressure up to 2 bar and temperatures of up to 135 °C.
- Steaming, suction and cooling in variable conditions.

- Conveyance of the fabric between belts of permeable material (DECOFAST).

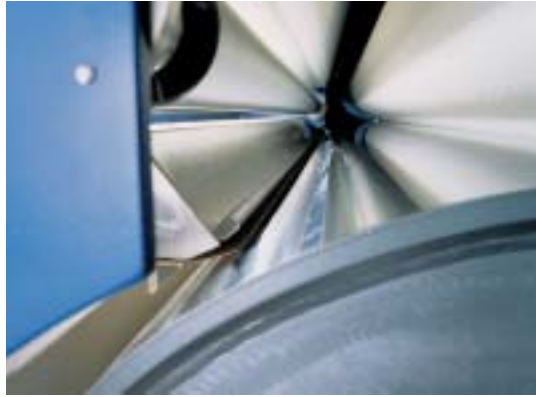
- Adjustable fabric-pressing system to enhance the handle of the fabric.

- A wide range of effects thanks to the adjustment of the various process parameters.

- Repeatability of the results, through the continuous treatment and straight-forward operation of the machine.

- Special software to manage the difference in the temperatures of the decatizing roller and the steaming tank working under steam pressure, in order to control the percentage humidity in the fabric precisely, and to allow different solutions in relation to the further forms of treatment (DECOFAST ULTRAFINISH).





– The ULTRAFINISH machine version is supplied without the felt sleeve covering the decatizing roller, in order to achieve special

silky and draping handle effects and a dull or shiny appearance, depending on the treated articles (DECOFAST ULTRAFINISH).

#### Technical data (not binding)

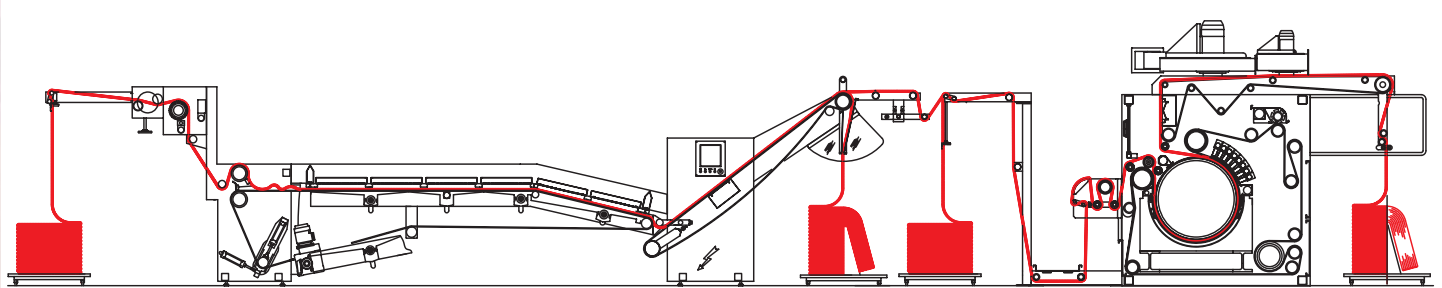
Working width	170	cm
Mechanical speed	4 – 40	m/min
Working speed	4 – 40	m/min
Absorbed load	40	kW
Saturated steam	8	bar
Compressed air feed	6	bar
Water	2 – 3	bar
Noise level	< 85	dB (A)
Weight	10	t
Space requirement (approx.)	650 x 850 x 330 cm	
Avg. steam consumption	~ 800	kg/h

The Decofast is suitable for the processing of the following types of fabric:

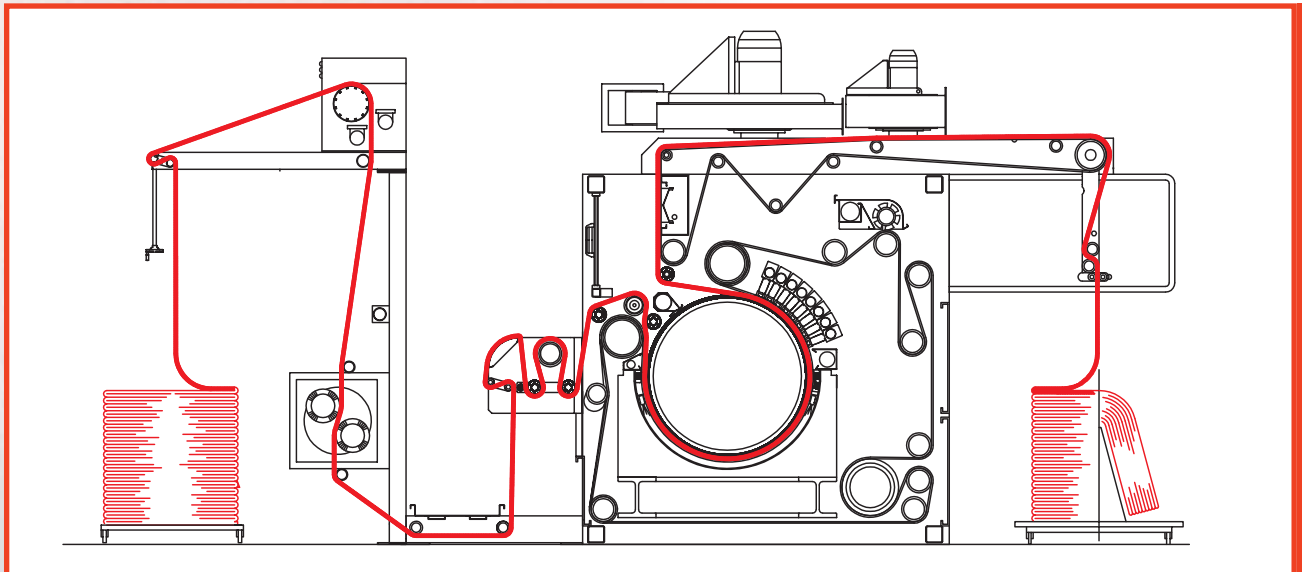
- pure wool-worsted fabrics, where it can serve as an aid to improve the physical properties of all treated fabrics
- stretch fabrics in wool and polyester/wool, where it provides a broad palette of effects and also ensures particular care in the tension control of the fabric
- pile fabrics, where softness and bulkiness are the key factors that highlight the features of each article
- cellulosic and silk fabrics, where it offers great versatility for the creation of new fashion trends
- warp-knitted fabrics, with which it achieves handle and setting results never attained before.

#### Applications:

- as a final decatizing treatment
- for the preparation of the fabric prior to kier decatizing
- “finish” decatizing treatment after kier decatizing, with improved garment-making qualities.



# DECOFAST



# santex group

Santex • Cavitec • SperottoRimar  
Santex Nonwoven



## Santex Group International AG

Fliegeneggstrasse 9  
CH-9555 Tobel, Switzerland  
Phone: +41 71 918 66 66  
Fax: +41 71 918 66 00  
santex@santex.ch  
www.santex-group.com



## Sperotto Rimar srl

Via G. Galilei 3  
I-36034 Malo (VI), Italy  
Phone: +39 0445 598 700  
Fax: +39 0445 607 760  
sales@sperottorimar.it



## Santex (Shanghai)

### Textile Machinery Co. Ltd.

No. 609, Tian Ying Road  
Qing Pu District  
201712 Shanghai, China  
Phone: +86 21 5922 8252  
Fax: +86 21 5922 8260  
info@santex.com.cn

## American Santex Inc.

Corporate Center  
100 Corporate Way, Suite L  
Spartanburg, SC 29303, USA  
Phone: +1 864 574 7222  
Fax: +1 864 574 0804  
amsantex@amsantex.com

## Santex Engineering India Pvt. Ltd.

Door No. 14, Krithika Apartments  
Indira Nagar 3rd Street  
641603 Tirupur, Tamilnadu-India  
Phone: +91 421 5330 882/3  
Fax: +91 421 5330 884  
service-india@santex-group.com